

# ONE

**OCEAN NETWORK EXPRESS**

**Carichi concentrati: il punto di vista della Compagnia**

**Marina di Carrara  
17 Giugno 2022**

**Marco Bottini - ONE Shipping Co. Sales Italy - Reefer and Special Cargo Manager**

## Carichi containerizzati



- Standardizzazione
- Efficienza
- Sicurezza

## Possibili danni da movimentazione



### Conseguenti danni alla merce





## Altre tipologie di incidenti



## Carichi concentrati : tipologie di merce





### Carichi concentrati : i rischi per il contenitore



# Carichi concentrati : i rischi per il contenitore ma non solo

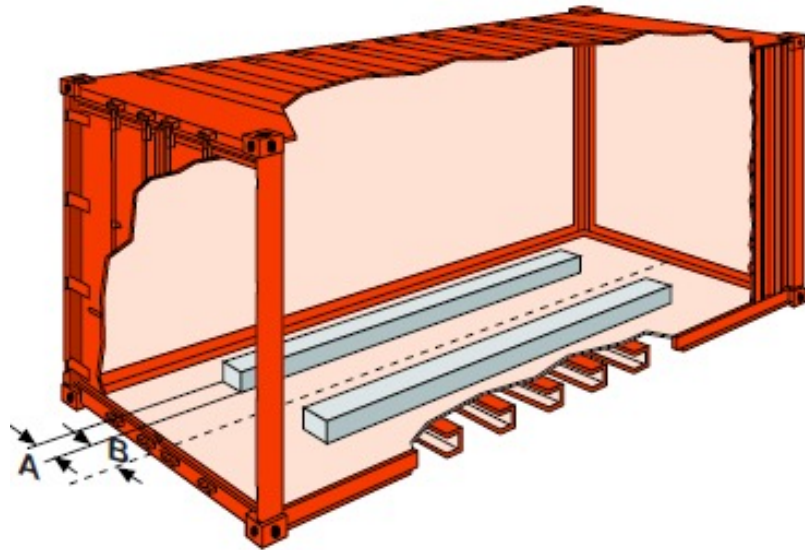




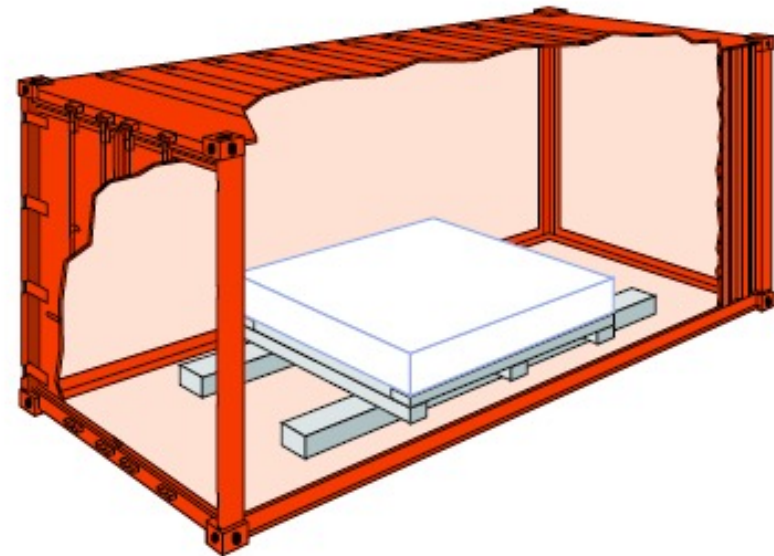
## Linee guida della compagnia

- Portata standard contenitore : kgs 30.480
- Max Payload circa 28 ton/20' e 26 ton/40'
- Max 4,5 ton/metro lineare su 20' e 3 ton/metro lineare su 40'
- Necessità di distribuire il carico in modo uniforme

## Redistribuzione del peso



Travi di legno longitudinali

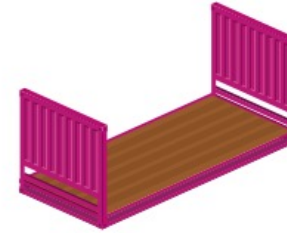


Travi di legno trasversali

## Contenitori speciali : Flat Rack

### FLAT RACK\*

Flat Rack units have only a floor and walls at the front and rear. They have lashing rings in many locations, making it easy to secure your special cargo.



#### 20 FEET

##### Specifications for 8'6" / 34,000kg

<b>Inside Measurement</b>	Length (cm)	561
	Width (cm)	243
	Height (cm)	221
<b>Load Capacity</b>	(m <sup>3</sup> )	28.4
<b>Container Weight</b>	(kg)	3,050
<b>Max. Load Weight</b>	(kg)	30,950

#### 40 FEET

##### Specifications for 8'6" / 45,000kg

<b>Inside Measurement</b>	Length (cm)	1,165
	Width (cm)	243
	Height (cm)	195
<b>Load Capacity</b>	(m <sup>3</sup> )	53.2
<b>Container Weight</b>	(kg)	6,200
<b>Max. Load Weight</b>	(kg)	38,800





### Carico Break Bulk



# ONE

OCEAN NETWORK EXPRESS

**Thank you !!**



## Marco Bottini

Reefer & Special Equipment Manager presso Ocean Network Express



Ocean Network Express



Università degli Studi di  
Genova

# ONE

OCEAN NETWORK EXPRESS

## Marco Bottini

Sales Manager Reefer  
& Special Equipment

**Ocean Network Express (Europe) Ltd.**

Italy Branch

Via De Marini, 1 - 16149 Genova

Main Line +39 010 890 7121    Mobile +39 349 3188381

[marco.bottini@one-line.com](mailto:marco.bottini@one-line.com)

[www.one-line.com](http://www.one-line.com)

**Ocean Network Express (Europe) Ltd.**



# ONE

OCEAN NETWORK EXPRESS

## SPECIAL CARGO

**01** / As ONE We Can

**03** / A conglomerate of 3 leading Japanese liners: 'K' Line, MOL and NYK

**06** / 6th largest shipping group in the world

**120** / Service footprints in over 120 countries around the world

**125** / Service frequency which entails 125 weekly services

**200** / Current fleet size of more than 200 vessels (1.6 Million TEU)



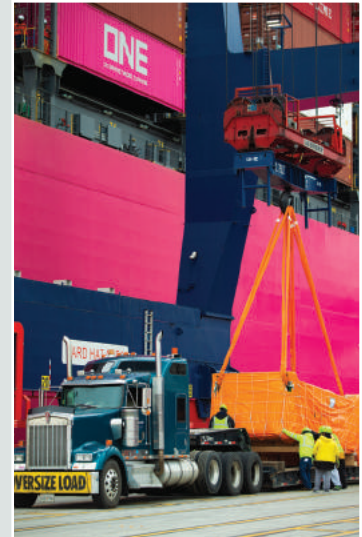
WE ARE THE  
SPECIAL **ONE!**



# ONE SPECIAL CARGO

As ONE, our brand name represents our integrity as three leading marine transport companies working together to make a difference in the ocean freight industry. We have a rich history and experience in handling special cargo of all kinds. Whether you are looking to transport vehicles, yachts, small-sized aircrafts, over-sized machines, large factory components or any sorts of construction equipment, ONE has just the right people and expertise.

ONE employs teams of worldwide specialists who have the handling knowledge and skills to ensure your special cargo is shipped safely and efficiently to destinations around the globe. This in turn enables us to design customized and point-to-point integrated solutions. Hence, ensuring a peace of mind for your valued shipments. With our extensive international port coverage, on-time shipping schedule, well balanced equipment supplies and tailor-made customer service, ONE is definitely your ideal partner for the transportation of special cargo.



## SPECIAL CARGO TYPES



### In-Gauge Cargo (IG)

Special cargoes which are transported using Flat Rack or Open Top containers, and are placed within the internal dimensions of the containers.



### Out-of-Gauge Cargo (OOG)

Special cargoes which are also transported using Flat Rack or Open Top containers, despite having dimensions which exceed the width and/or height of the containers.



### Breakbulk Cargo (BB)

Extra-large special cargoes which are transported using multiple Flat Rack containers. For example, luxury yachts, factory components, over-sized machines, trains, construction equipment, generators, etc.

## ONE ADVANTAGE

ONE differentiates its special cargo service by offering such key value-added features:



Priority space planning and management of special cargo



Dedicated country specialists with expertise in local liaison



Point-to-point and hassle-free integrated solutions



Sizeable container fleet with extensive equipment/facilities support



Competitive pricing structure

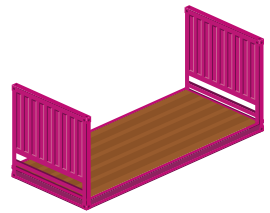


Extensive worldwide port coverage with regular on-time weekly services

# ONE SPECIAL CARGO CONTAINERS AND SPECIFICATIONS

## FLAT RACK\*

Flat Rack units have only a floor and walls at the front and rear. They have lashing rings in many locations, making it easy to secure your special cargo.



### 20 FEET

#### Specifications for 8'6" / 34,000kg

<b>Inside Measurement</b>	Length (cm)	561
	Width (cm)	243
	Height (cm)	221
<b>Load Capacity</b>	(m <sup>3</sup> )	28.4
<b>Container Weight</b>	(kg)	3,050
<b>Max. Load Weight</b>	(kg)	30,950

### 40 FEET

#### Specifications for 8'6" / 45,000kg

<b>Inside Measurement</b>	Length (cm)	1,165
	Width (cm)	243
	Height (cm)	195
<b>Load Capacity</b>	(m <sup>3</sup> )	53.2
<b>Container Weight</b>	(kg)	6,200
<b>Max. Load Weight</b>	(kg)	38,800

## OPEN TOP\*

Open Top containers have removable canvas or tarpaulins instead of a solid roof. They are perfect for your special cargo that is easily loaded from the top.



### 20 FEET

#### Specifications for 8'6" / 30,480kg

<b>Inside Measurement</b>	Length (cm)	589
	Width (cm)	234
	Height (cm)	234
<b>Door Opening</b>	Width (cm)	233
	Height (cm)	224
<b>Roof Header</b>	Width (cm)	186
<b>Roof Opening</b>	Length (cm)	576
	Width (cm)	222
<b>Load Capacity</b>	(m <sup>3</sup> )	32.4
<b>Container Weight</b>	(kg)	2,280
<b>Max. Load Weight</b>	(kg)	28,100

### 40 FEET

#### Specifications for 8'6" / 30,480kg

<b>Inside Measurement</b>	Length (cm)	1,202
	Width (cm)	234
	Height (cm)	234
<b>Door Opening</b>	Width (cm)	233
	Height (cm)	224
<b>Roof Header</b>	Width (cm)	185
<b>Roof Opening</b>	Length (cm)	1,189
	Width (cm)	218
<b>Load Capacity</b>	(m <sup>3</sup> )	66.2
<b>Container Weight</b>	(kg)	3,880
<b>Max. Load Weight</b>	(kg)	26,600

\*Indicated specifications for reference only. Actual unit may differ.



**"ONE has the expertise to carefully and efficiently move special cargoes worldwide. Combining best practice and innovation we aim to provide customers with the best quality service available in the market".**

Ms Luciana Sasso  
Global Special Cargo Manager  
Ocean Network Express (ONE)



# ABOUT ONE

ONE is the result of an integration of the container operations of three Japanese shipping companies, Kawasaki Kisen Kaisha, Ltd ("K" Line), Mitsui O.S.K. Lines, Ltd (MOL), and Nippon Yusen Kabushiki Kaisha (NYK). The company seeks to meet customers' needs by providing high-quality, competitive container shipping services with the consolidation and enhancement of the three companies' global network and service structures.

The integration has enabled ONE to incorporate the best practices from the three legacy companies and make the most of their combined 1,600,000 TEU fleet size. Supported by a worldwide high level, globally-connected organization, it has more than 130 service loops and a comprehensive network linking more than 200 of the world's major ports.

ONE is focused on offering superior quality and the most competitive service throughout its network. Each service has been developed to provide clients with the highest level of satisfaction. ONE aims to transform the global container business with its new and innovative service.



**"ONE's Special Cargo Team always strive for the highest possible customer satisfaction.**

**With a team of industry professionals around the globe, ONE will always deliver more than what is requested."**

#### **Ocean Network Express Pte. Ltd.**

7 Straits View, #16-01 Marina One East Tower, Singapore 018936

#### **Ocean Network Express (East Asia) Ltd.**

Levels 22 and 23, Two Harbour Square, 180 Wai Yip Street, Kwun Tong, Kowloon, Hong Kong

#### **Ocean Network Express (Europe) Ltd.**

6th Floor, 20 Churchill Place, London, E14 5GY

#### **Ocean Network Express (North America) Inc.**

8730 Stony Point Parkway, Richmond, VA 23235

#### **Ocean Network Express (Latin America) Ltda.**

Alameda Santos, nº 960, 7º andar, CEP 01418-002, Cerqueira Cesar, São Paulo-SP

Mr. Martijn de Bruin  
Europe Special Cargo Manager  
Ocean Network Express (ONE)

<https://www.one-line.com/en/standard-page/special-cargo>

2019.10

**AS ONE, WE CAN.**

**ONE**  
OCEAN NETWORK EXPRESS